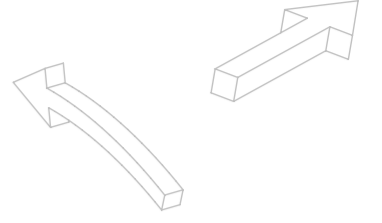


Direction of Rotation

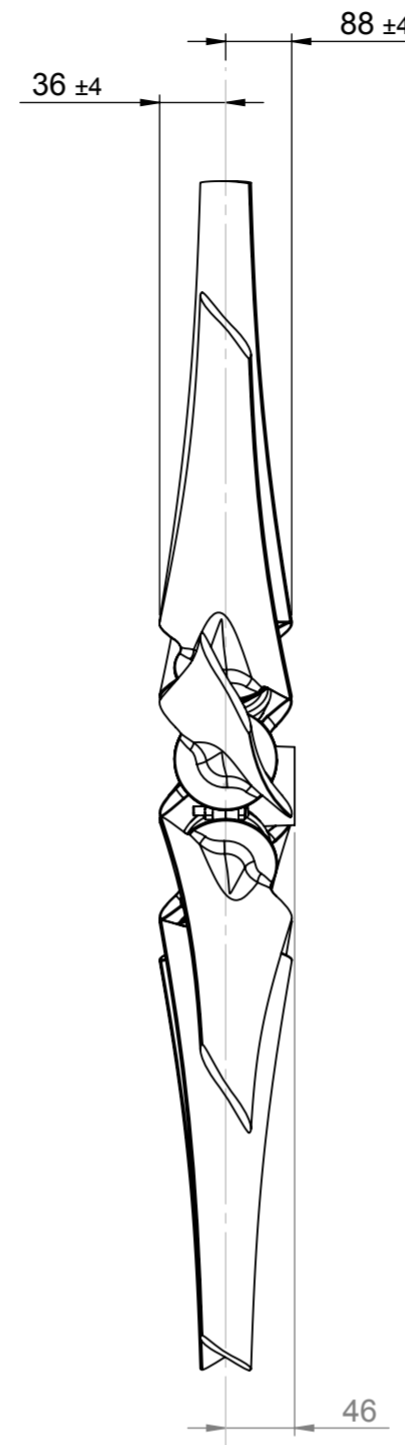
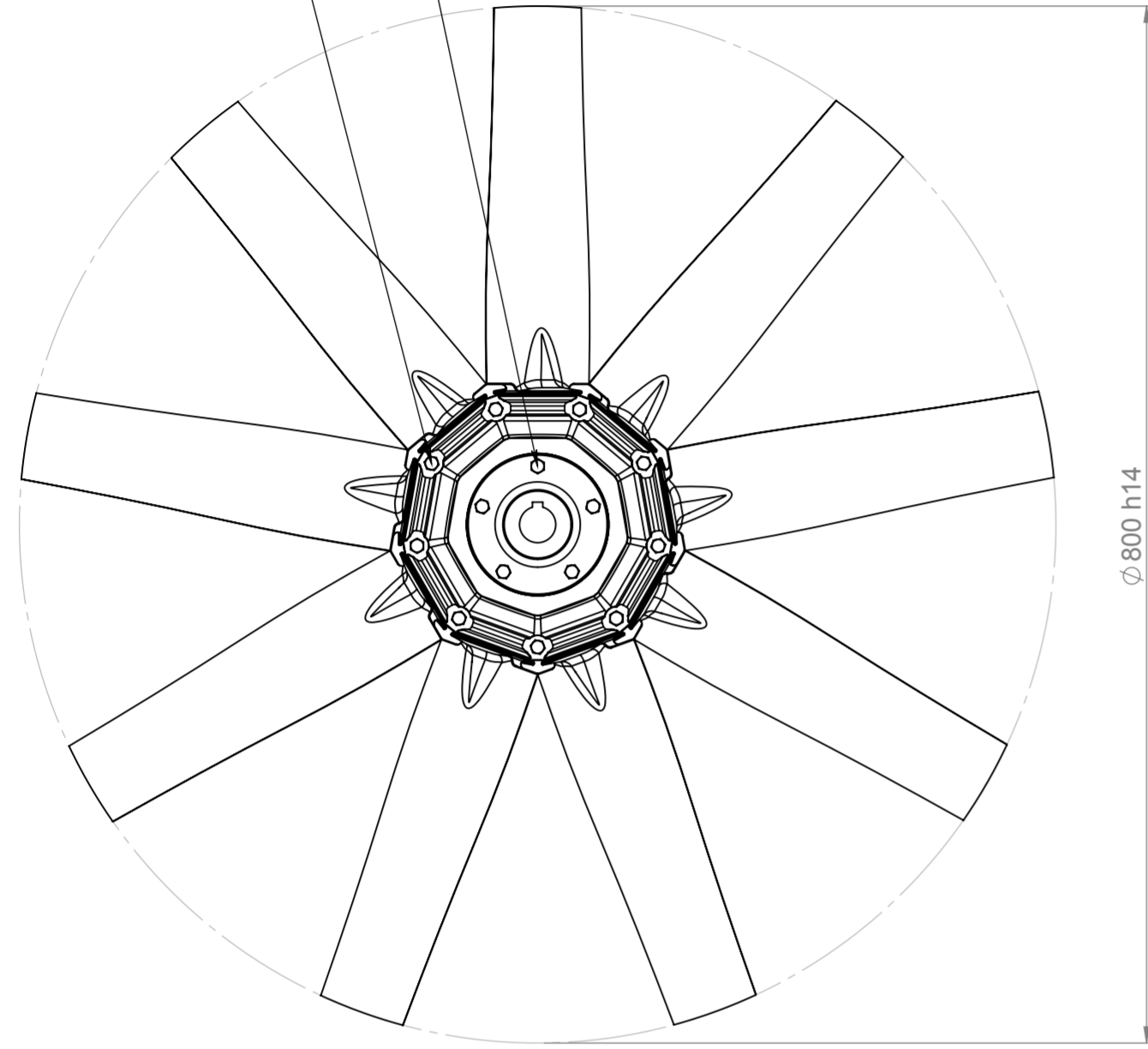


Direction of Air-flow

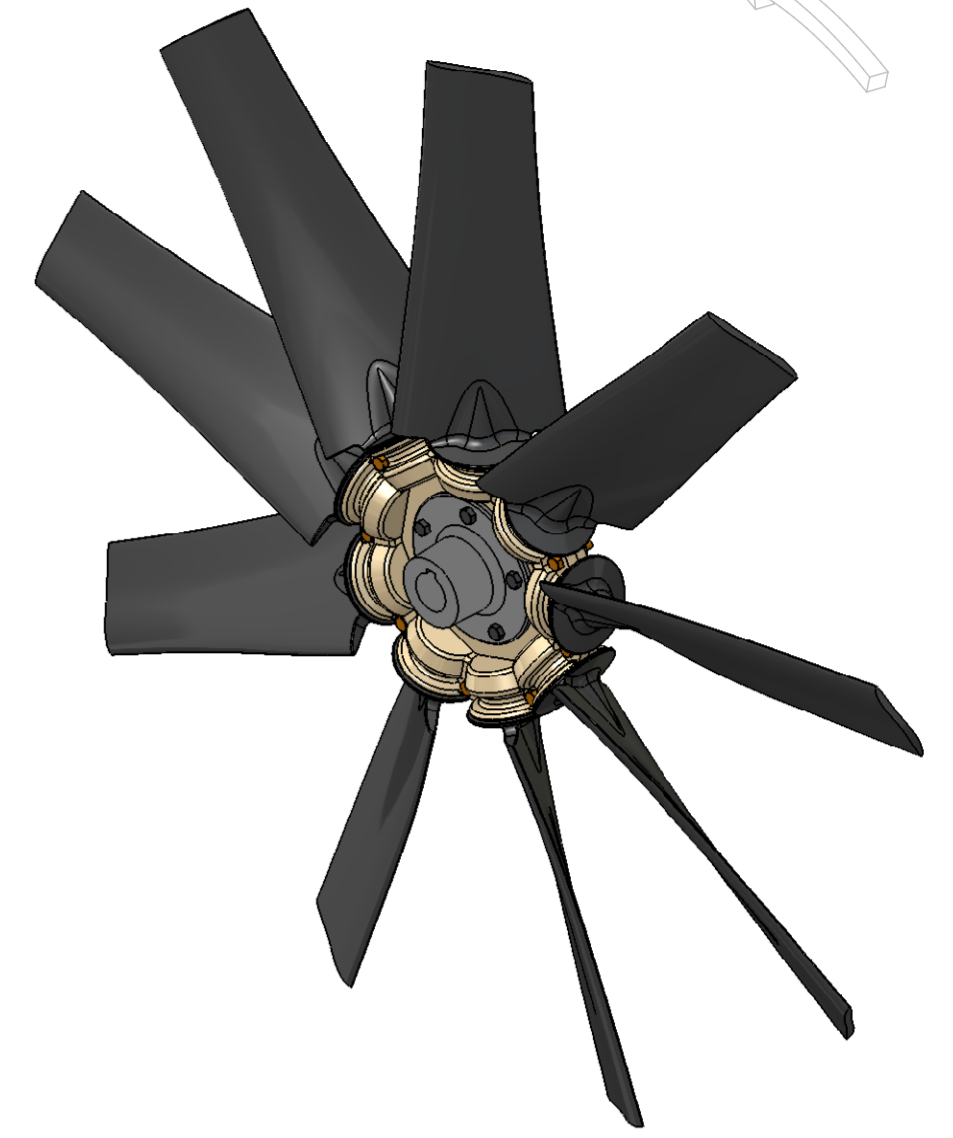


5 Bolts @ M6x20 A4 BC 90

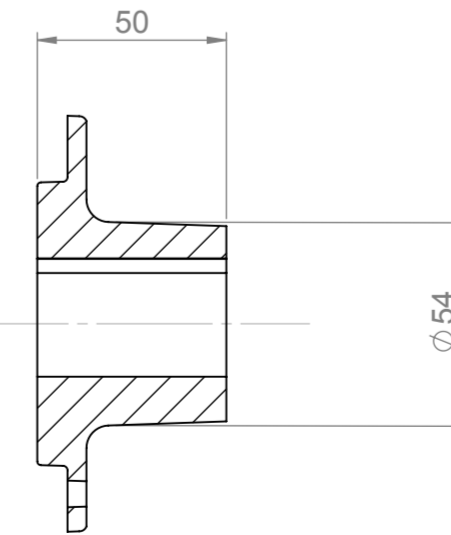
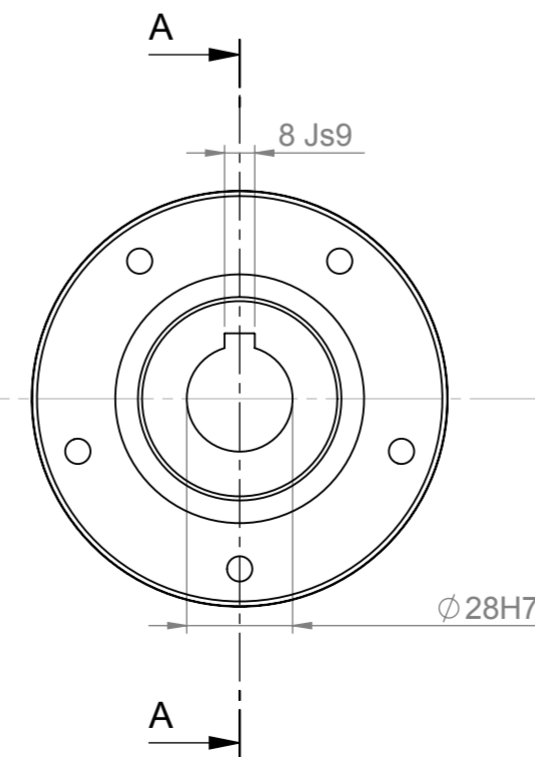
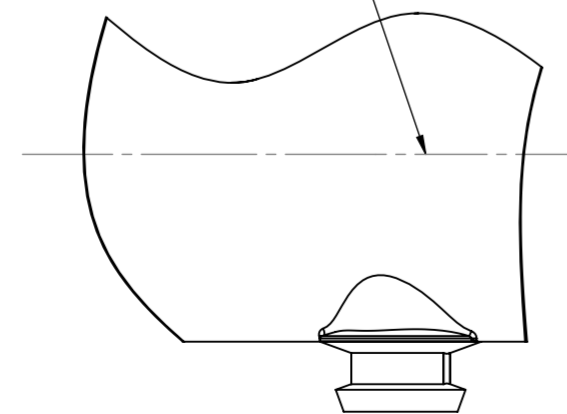
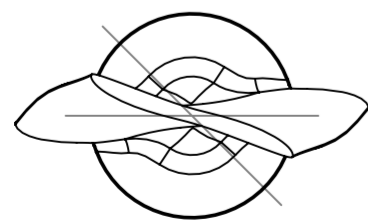
9 Bolts @ M6x30 A4 BC 189



Mounting Side



Blade angle measured
179.5 mm from center of impeller



SECTION A-A
SCALE 1 : 2

Mounting Details

Blade Angle

Balanced according to ISO 1940/1 G 6.3 @ 950Rpm

MULTI-WING
 Multi-Wing International a/s
 Staktoften 16
 DK-2950 Vedbæk
 Denmark
 Tlf: +45 45890133
 Fax: +45 45893133
 e-mail: info@multi-wing.com
 www.multi-wing.com

Drive Systems

Impeller code:
 800/9-9/45/AL/TR7Z/28/8/50/A
 Date: 8.2.2010 /DAH
 Scale: 1:5

Sheet
A3

