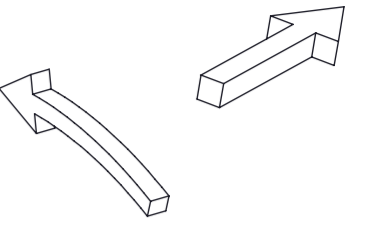
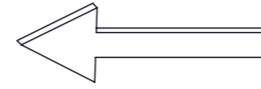


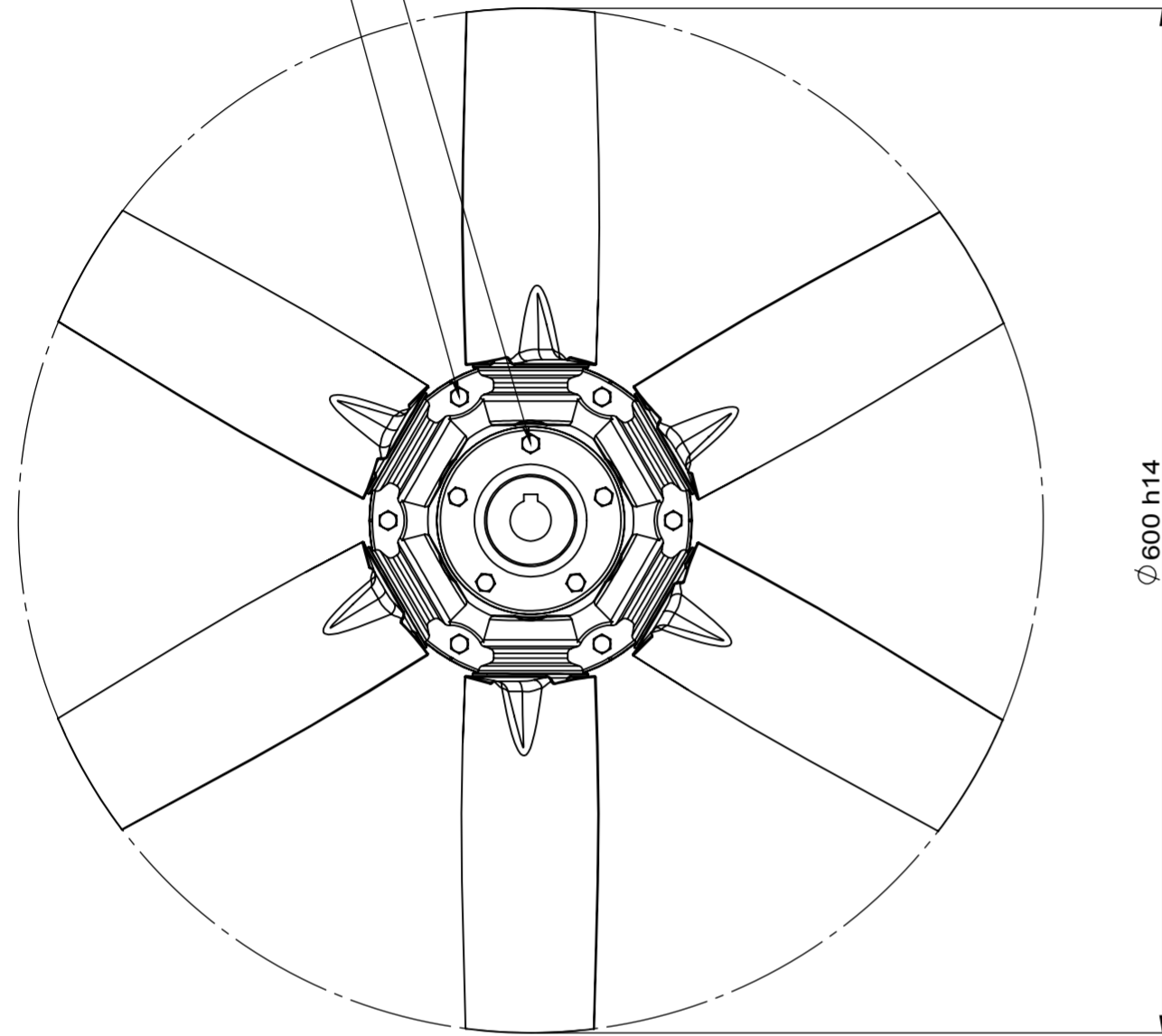
Direction of Rotation



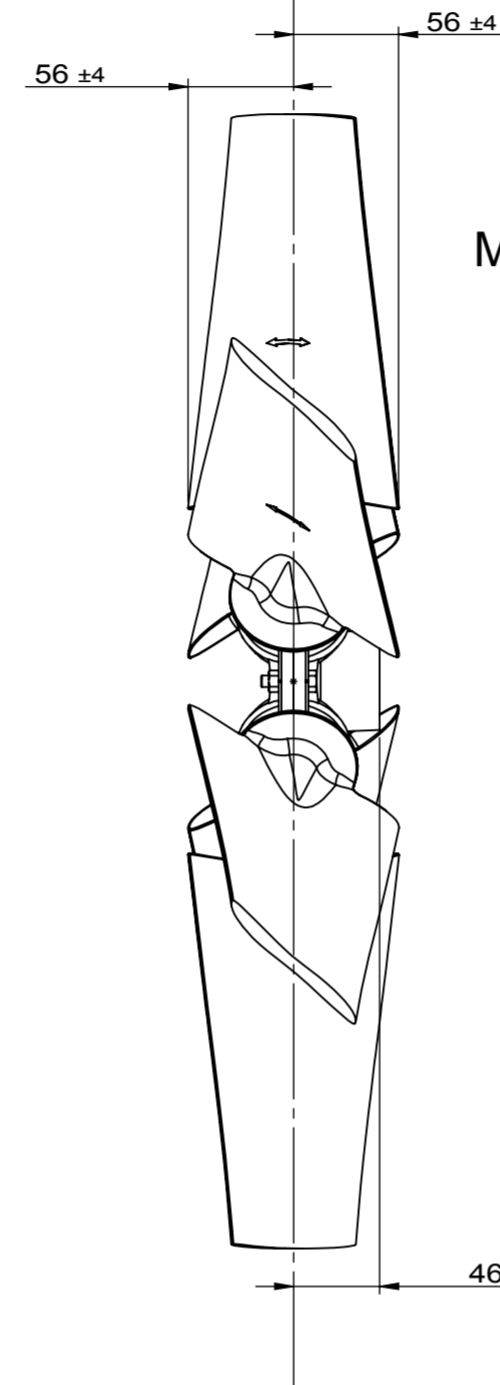
Direction of Air-flow



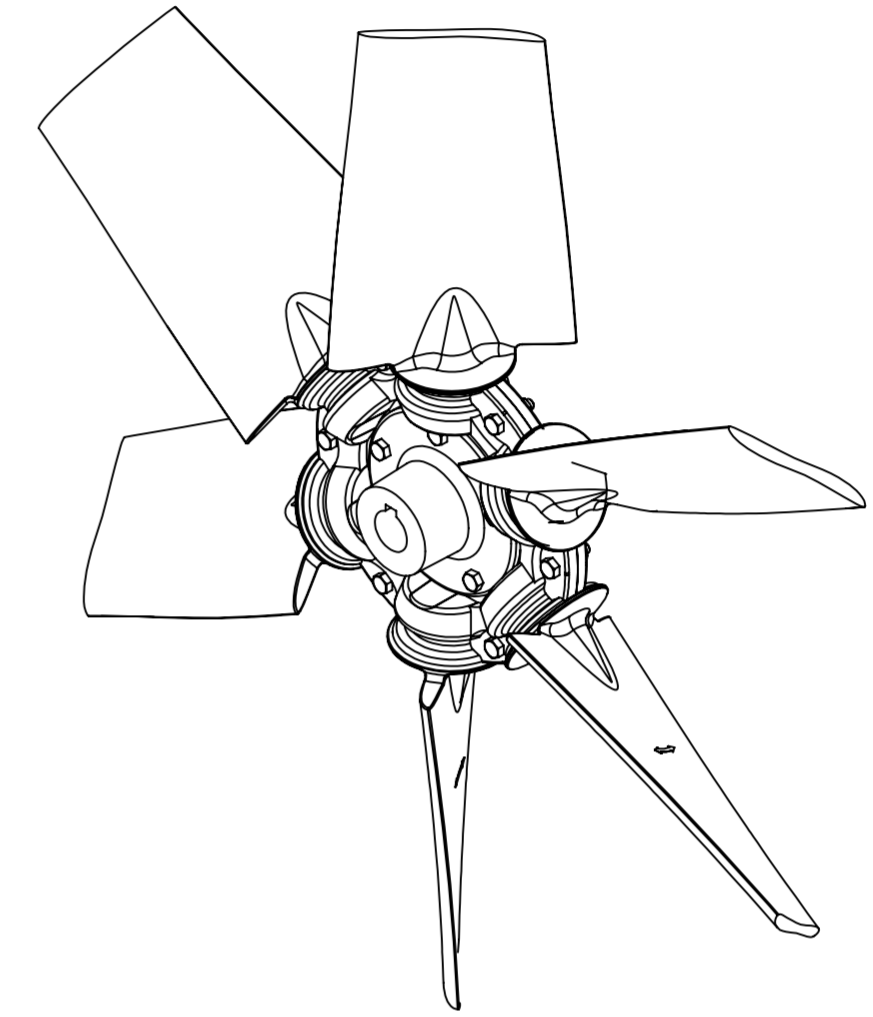
5 Bolts @ M6x20 BC 90
6 Bolts @ M6x25 BC 167



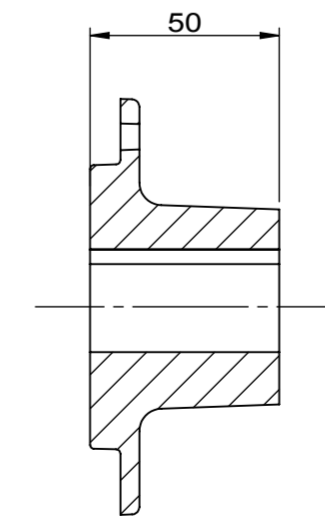
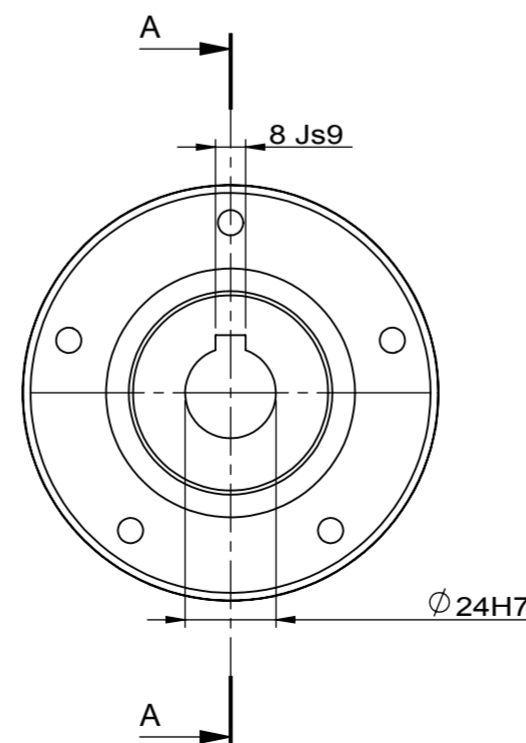
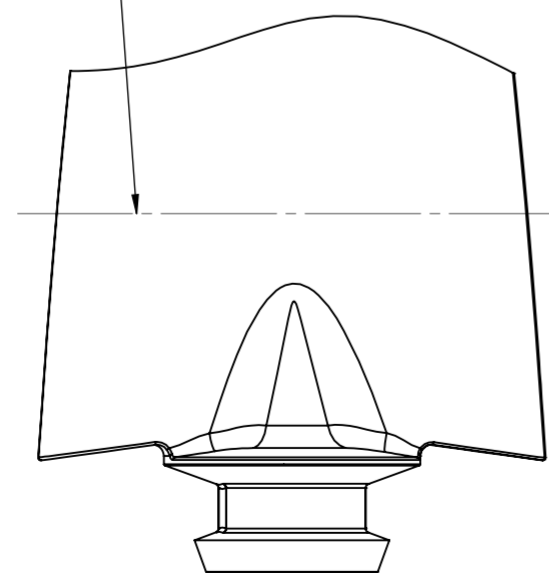
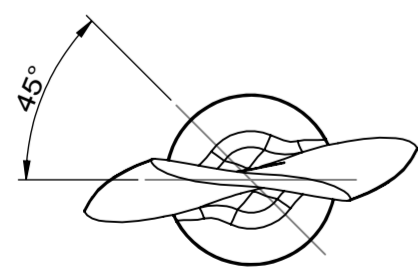
Ø 600 h14



Mounting Side



Blade angle measured
180.9 mm from center of impeller



SECTION A-A
SCALE 1 : 2

Blade Angle

Mounting Details

Balanced according to ISO 1940/1 G 6.3 @ 950Rpm

MULTI-WING

Multi-Wing International A/S
Staktoften 16
DK-2950 Vedbæk
Denmark
Tlf: +45 45890133
Fax: +45 45893133
e-mail: info@multi-wing.com
www.multi-wing.com

Customer: Drive Systems LLC

Impeller code:
600/6-6/45/AL/TR8Z/24/8/A/L=50

Date:
2013/10/21

Scale:
1:4

Sheet
A3

Projection method:

